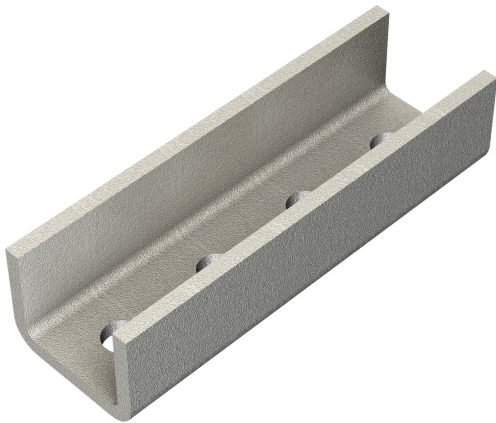


**PRODUCT CODE: MP48-41**  
CHANNEL BRACKET



**DESCRIPTION**

41mm External Channel Coupler

**FINISH**

Hot Dipped Galvanised

**MATERIAL**

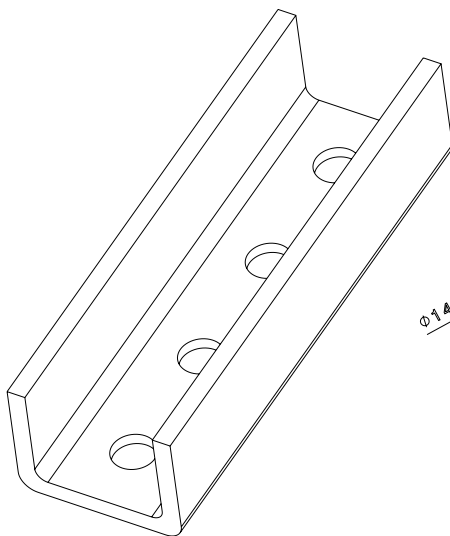
Steel

**PACKAGING**

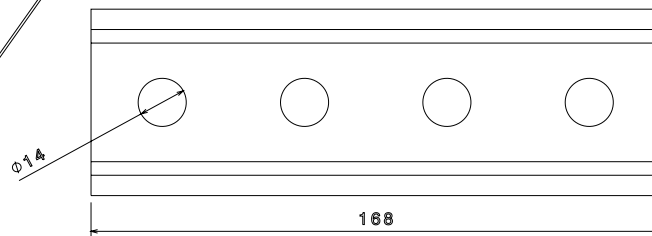
Packed in qty 10

**ADDITIONAL NOTES**

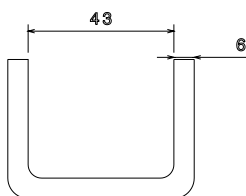
Compliant to LU Standard 1-085 (for use on surface & sub-surface locations)



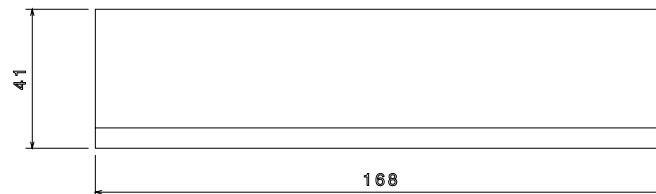
Isometric view



Top view



Front view



Side view